

FAX OR E-MAIL COMPLETED FORMS

Fax 866.700.7837 | E-mail orders@surestep.net | Phone 877.462.0711

*Orders cannot be processed if indicated fields are left blank

FABRICATION TIME - Measurements: 4 days, Casts: 5 days

PATIENT

Date (dd/mm/yy) _____
 Last Name/Patient ID _____
 First Name _____
 DOB _____ Weight _____ Male Female
 Dx _____ Need by date _____

COMPANY

*Name _____
 Contact Name _____
 *Phone _____ Fax _____
 E-mail _____

BILLING / SHIPPING

Billing Address
 *City _____
 *ST/Prov _____ *Zip/Postal Code _____
 Shipping address same as billing
Shipping Address
 City _____
 ST/Prov _____ Zip/Postal Code _____
 PO # _____ Order confirmation Fax E-mail

SHIPPING OPTIONS

UPS Ground.....No Charge
 3 Day Select.....\$15.00
 2nd Day (by 12:00 p.m.).....\$30.00
 Next Day Saver.....\$45.00
 Next Day (by 10:30 a.m.).....\$55.00
 24 Hour Rush Fabrication\$75.00 Fee
Shipping charges apply separately

PATTERN OPTIONS

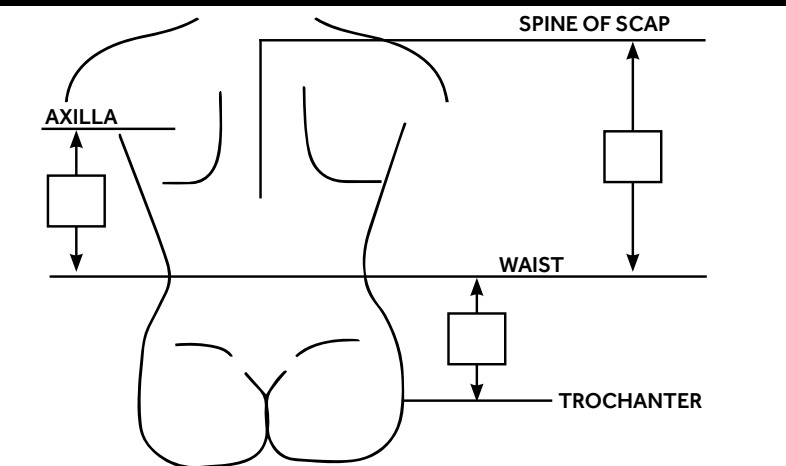
<input type="checkbox"/> Baseball	<input type="checkbox"/> Dinosaurs	<input type="checkbox"/> Monkeys	<input type="checkbox"/> Police	SOLIDS	
<input type="checkbox"/> Basketball	<input type="checkbox"/> Fairies	<input type="checkbox"/> Monsters	<input type="checkbox"/> Puppies		<input type="checkbox"/> White
<input type="checkbox"/> Blossom	<input type="checkbox"/> Fairytale	<input type="checkbox"/> Music Notes	<input type="checkbox"/> Skateboard		<input type="checkbox"/> Yellow
<input type="checkbox"/> Bugs	<input type="checkbox"/> Farm Friends	<input type="checkbox"/> Nautical	<input type="checkbox"/> Sports		<input type="checkbox"/> Pink
<input type="checkbox"/> Busy Bees	<input type="checkbox"/> Flames	<input type="checkbox"/> Peace Signs	<input type="checkbox"/> Spring Flowers		<input type="checkbox"/> Blue
<input type="checkbox"/> Butterflies	<input type="checkbox"/> Flamingos	<input type="checkbox"/> Pink Camo	<input type="checkbox"/> Traffic Soup		
<input type="checkbox"/> Cars	<input type="checkbox"/> Forest Friends	<input type="checkbox"/> Pink Leopard			
<input type="checkbox"/> Comic Book	<input type="checkbox"/> Green Camo	<input type="checkbox"/> Pink Monkeys			
<input type="checkbox"/> Construction	<input type="checkbox"/> Happy Daisies	<input type="checkbox"/> Pirates			

MODIFICATIONS (Additional charges may apply, see price list)

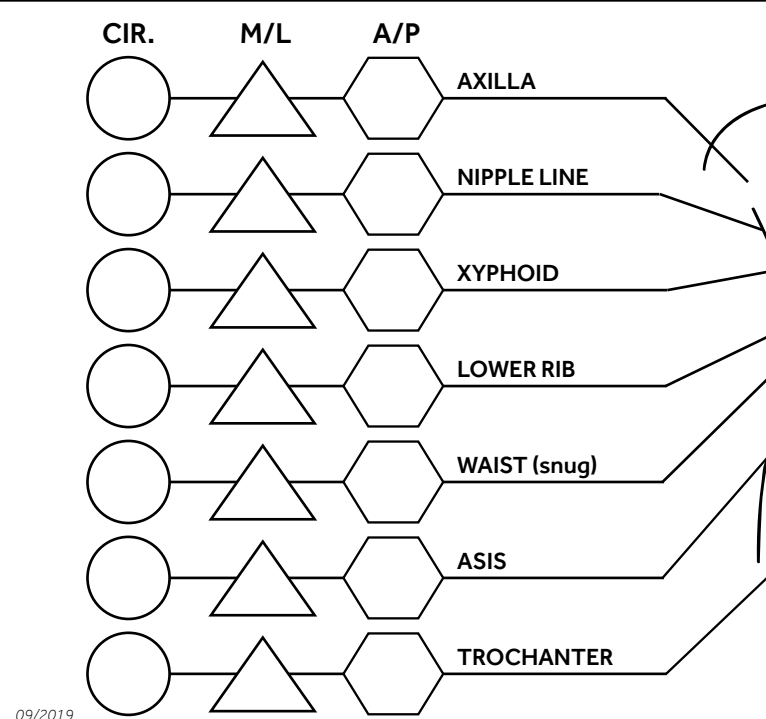
Abdominal Cutout Lateral Gill Mods Anterior Opening Bac pump
 Add Gusset Anterior Gill Mods Posterior Opening G-Tubes

OTHER

THESE MEASUREMENTS SHOULD BE TAKEN IN PRONE POSITION



Lordosis		Kyphosis	
15° standard		10° standard	



THESE MEASUREMENTS SHOULD BE TAKEN IN SUPINE POSITION
 Do not take measurements in standing or seated positions